

User Manual of Access Control Panel

Content

Chapter 1 Features	1
Chapter 2 Parameters (case: ABS-1).....	2
Chapter 3 Function Introduction.....	2
Chapter 4 Application.....	3
Chapter 5 Access control panel with metal box.....	3
Chapter 6 Wiring diagram for Access Controllers (For RS232 and RS485).....	4
6.1 485 networking wiring diagram.....	4
6.2 ABS-1 Diagram.....	5
6.3 ABS-2 Diagram.....	6
6.4 ABS-4 Diagram.....	7
Chapter 7 Wiring diagram for Access Controllers (For TCP/IP).....	8
7.1 TCP/IP networking schematic drawing.....	8
7.2 ABS-1.Net Diagram	9
7.3 ABS-2.Net Diagram	10
7.4 ABS-4.Net Diagram	11
Chapter 8 Integrated/Connection Diagram.....	12

Chapter 1 Features

1. Stand-alone (with 128k Memory) or online with PC (RS232 or R485) or with TCP/IP.
2. Support 1/2/4 relays output for controlling switch signal
3. With Uninterruptible Power Supply interface
4. Support opening door button
5. Anti-pass back Function
6. Weigand 26 interface for Identify mode of Card reader, Password, fingerprint reader, bar-code reader (Or any combination)
7. With Door broken detective function, micro switch designed to protect reader case damage
8. Enforcing access code function is for emergencies, auto dial the managing center in real-time when the door is opened by force
9. Storage capacity: 20,000 cards and 100,000 records Or 60,000 cards and 60,000records
10. Support SDK

Message to (+86) 158 155 010 89

When you use cell phone or dial from other area outside China, please call (+86) 755 8341 8779/8825 7909
or email us at info@securitcn.com

Chapter 2 Parameters (case: ABS-1)

Item	Description
Communication	RS232/RS485, no need jumper and adaptive 9600 bps
Size of PCB board	160mm *106mm
Size of Case	273mm*228mm*65mm
Power Supply	12VDC 4-7A
Power Consumption of Circuit Board	Less than 100mA
Input Format of Reader	Wiegand 26 (All card reader with compatible protocol, such as Motorola, HID, EM, Mifare one etc)
Quantity of Readers	1pair
Door Controlled	1pair
Door opening time extending setting	1-600 seconds(adjustable)
Max q'ty of controller	N*256PCS (N:q'ty of computer serial prot or q'ty of 485 hub port, support 256pcs ports)
Operation Temperature	- 40 C~70 C
Operation Humidity	10-90 % RH , No Condensation
Q ' ty of users	20,000 Users
Q ' ty of Event Buffers(offline)	100,000 event buffers
Power interruption protection measure	High Speed Memory, Records never lose
Max Distance from Reader to Controller	100m (suggestion distance 80m)

Chapter 3 Function Introduction

Conventional Function: offline operation; real time supervision; photo display; mass storage; flexible user privilege setup; remote unlocking; multi-user supervision; quick setting; convenient checking and query; revisable and printable report form; report form; report can be exported to excel file; card+password unlocking; alarm for long time unclosing; alarm for invalid card swiping; first card unlocking; alarm for illegal break in; unlocking at definite time; e-map etc.

Message to (+86) 158 155 010 89

When you use cell phone or dial from other area outside China, please call (+86) 755 8341 8779/8825 7909
or email us at info@securitcn.com

Professional function for professional users such as bank, cash house, telecom station, power supply station, prison and police station: interface locking; intimidation alarm; integrated fire control; anti-pass back and anti-tail; interlocking; multi-card unlocking; emergency double locking; in door population checking; unlocking based on internal and external validation.

Access control management software also includes all-in-one-card management system such as normal shift and multi-shifts time attendance management system; fixed ration dining management system; meeting attendance management system; online patrol management system and security alarm management system.

Chapter 4 Application

- School
- Bank
- Government
- Large-scale public

Control of Memory up to 20,000 Users / up to 100,000 Event Buffers

Network Communication via RS232 / RS485

English Software supportable database: Access and SQL

Chapter 5 Access control panel with metal box

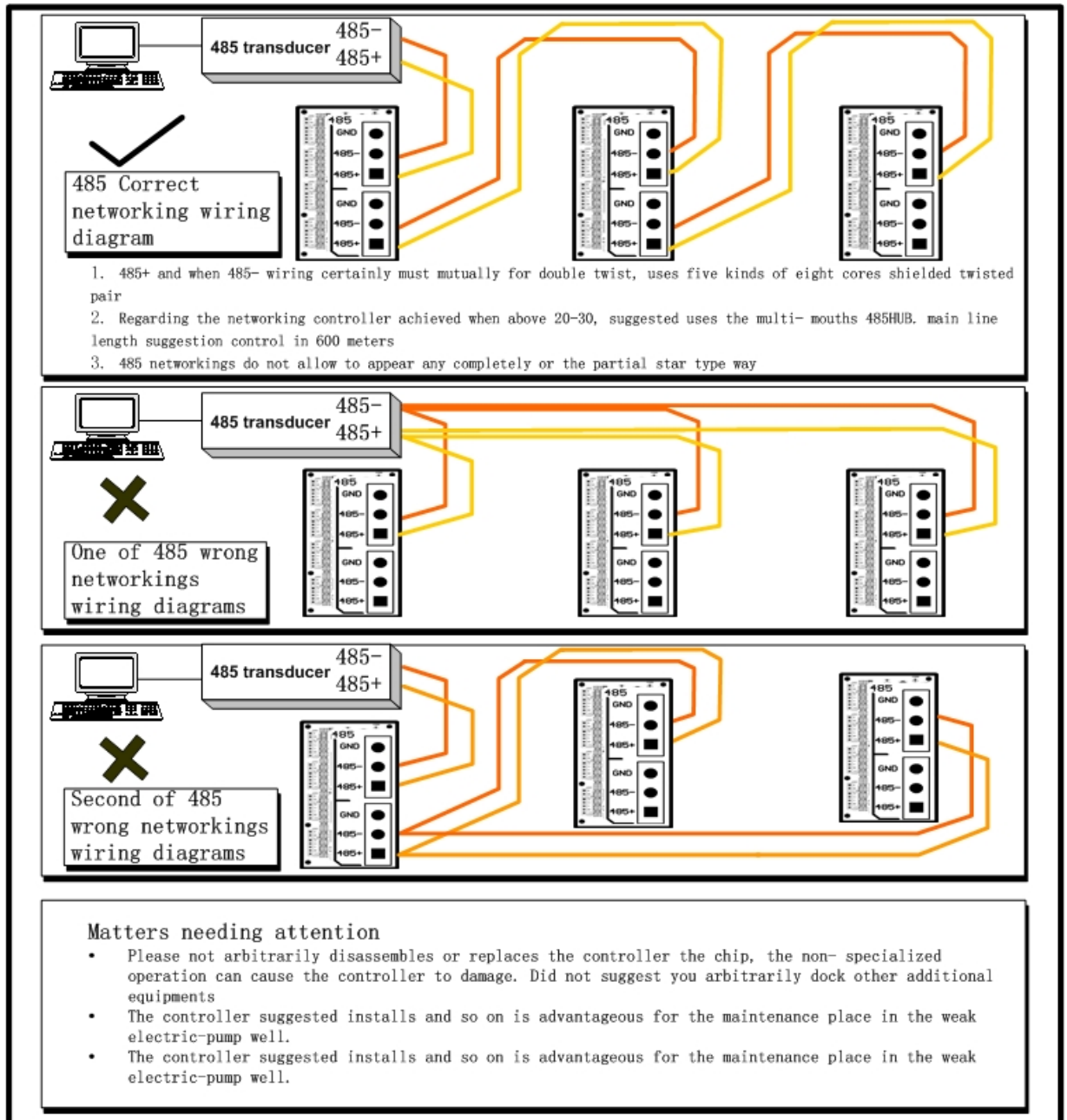


Message to (+86) 158 155 010 89

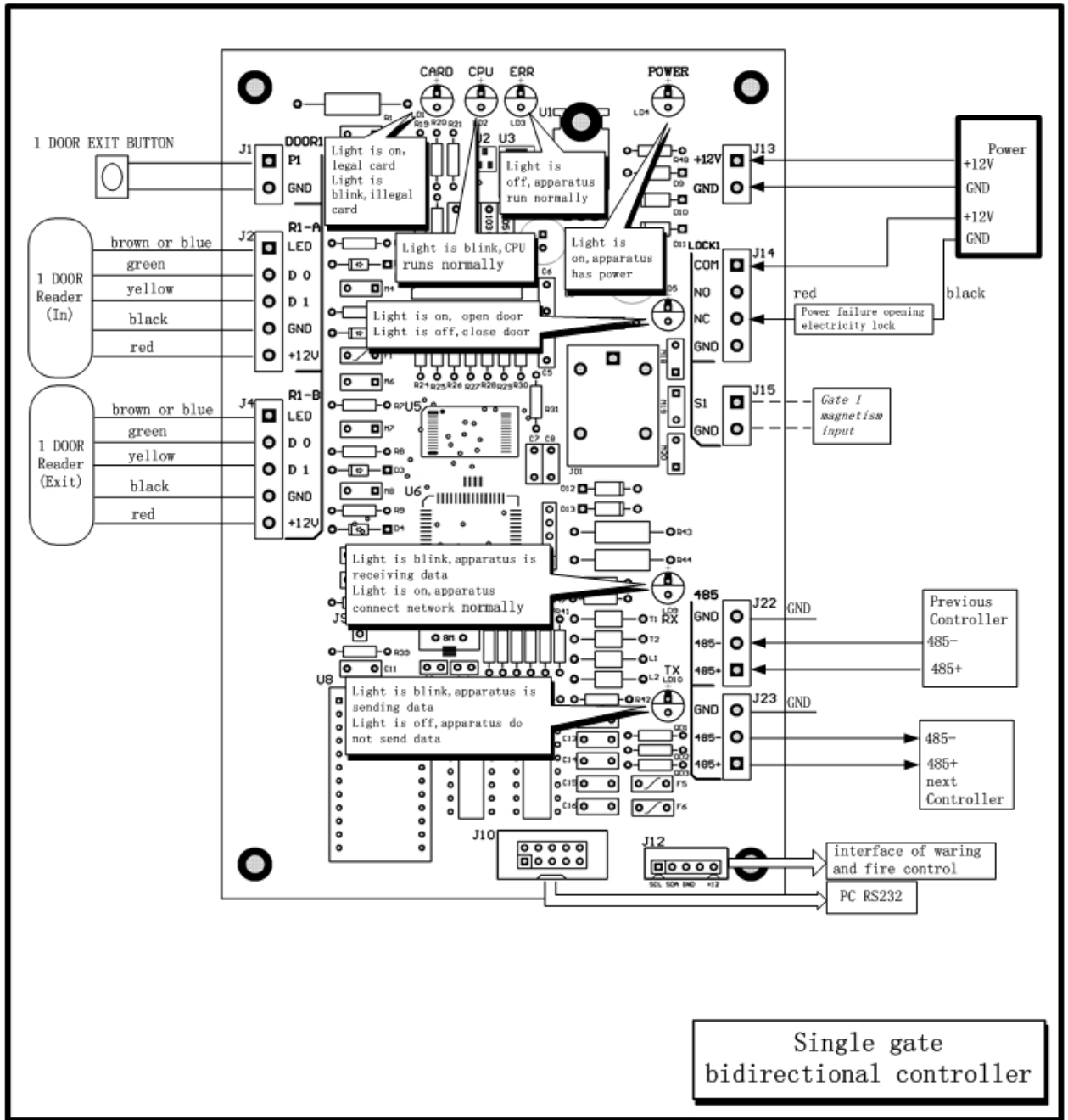
When you use cell phone or dial from other area outside China, please call (+86) 755 8341 8779/8825 7909
or email us at info@securitcn.com

Chapter 6 Wiring diagram for Access Controllers (For RS232 and RS485)

6.1 485 networking wiring diagram



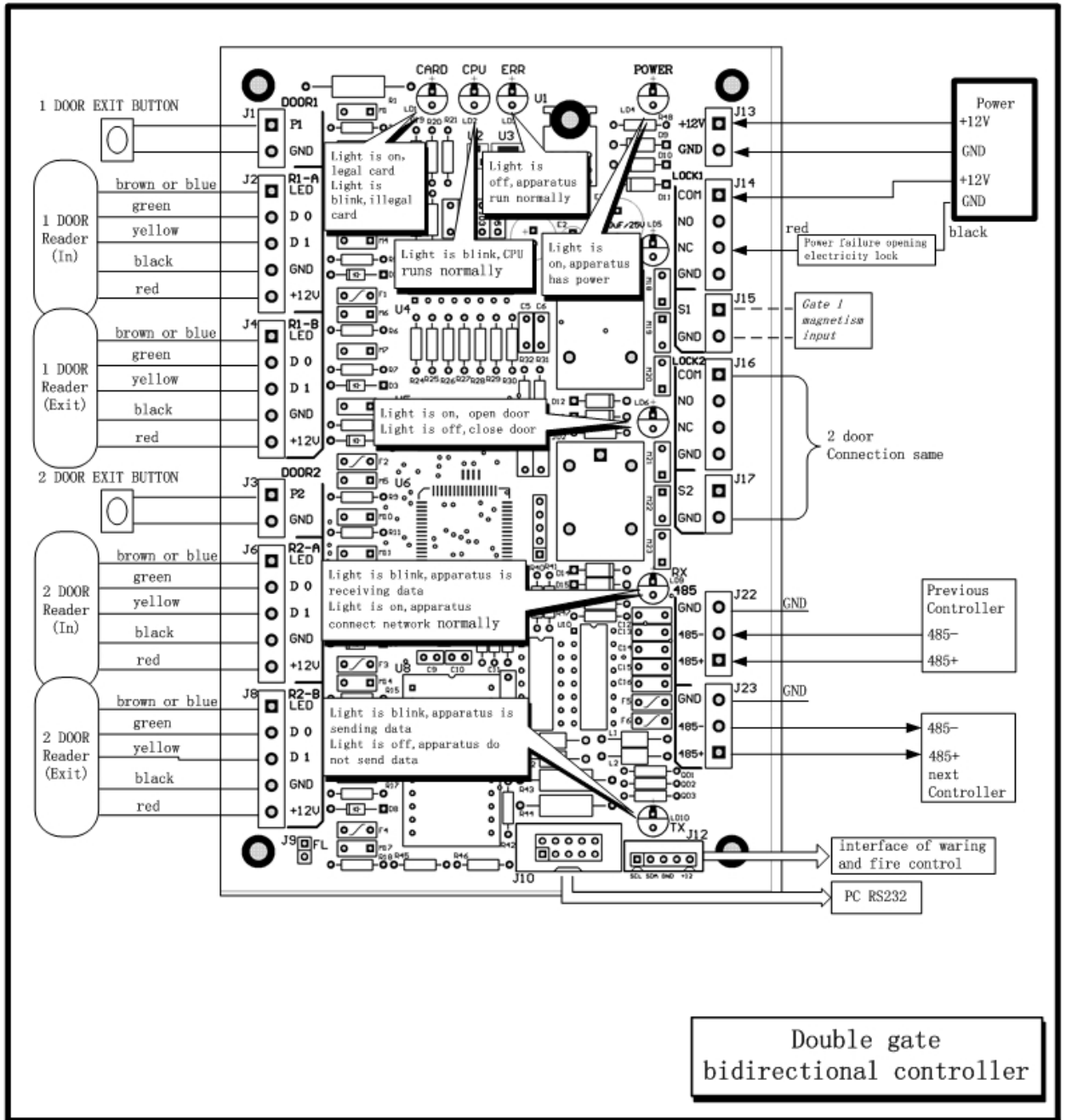
6.2 ABS-1 Diagram



Message to (+86) 158 155 010 89

When you use cell phone or dial from other area outside China, please call (+86) 755 8341 8779/8825 7909 or email us at info@securitcn.com

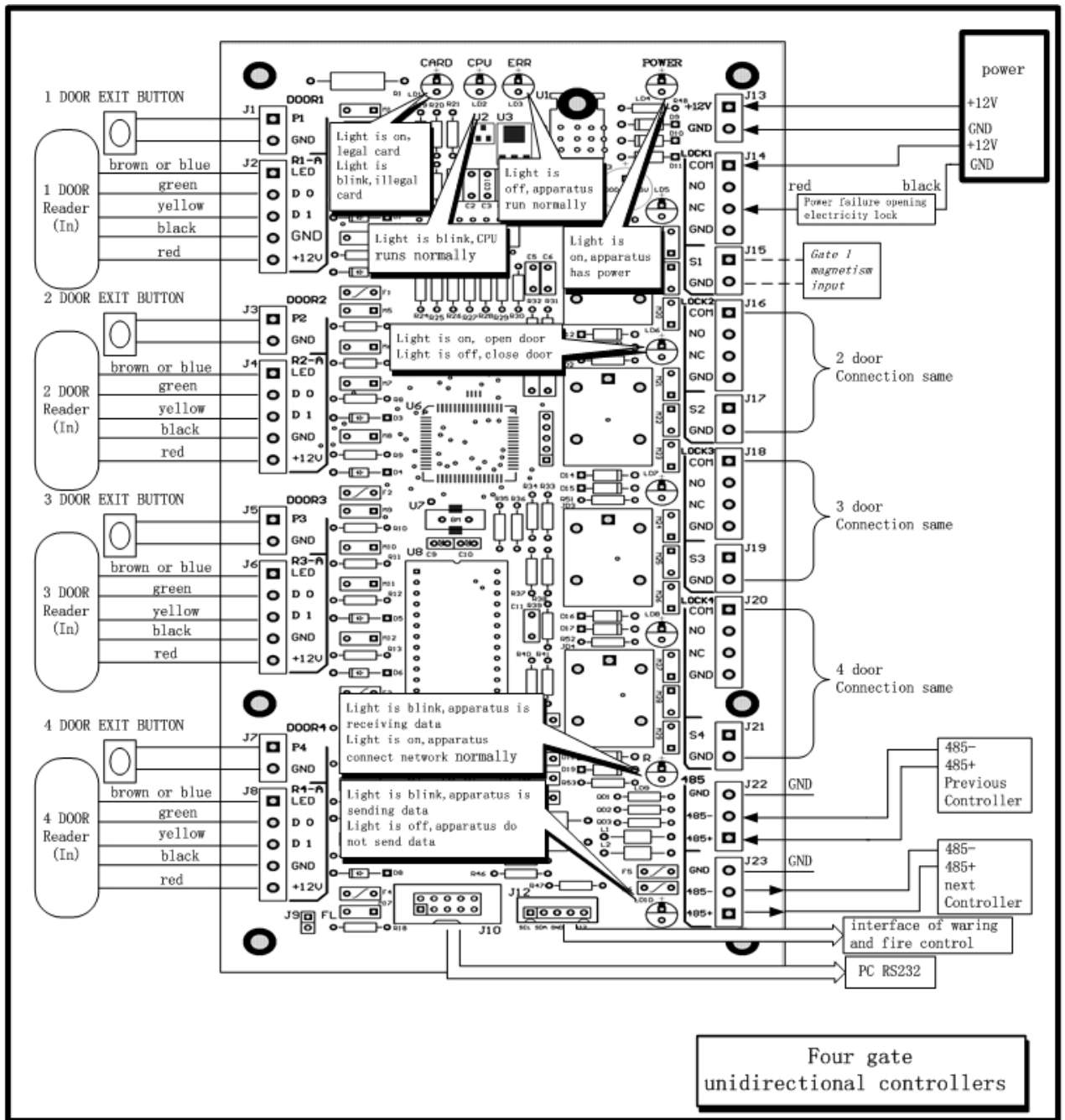
6.3 ABS-2 Diagram



Message to (+86) 158 155 010 89

When you use cell phone or dial from other area outside China, please call (+86) 755 8341 8779/8825 7909 or email us at info@securitcn.com

6.4 ABS-4 Diagram

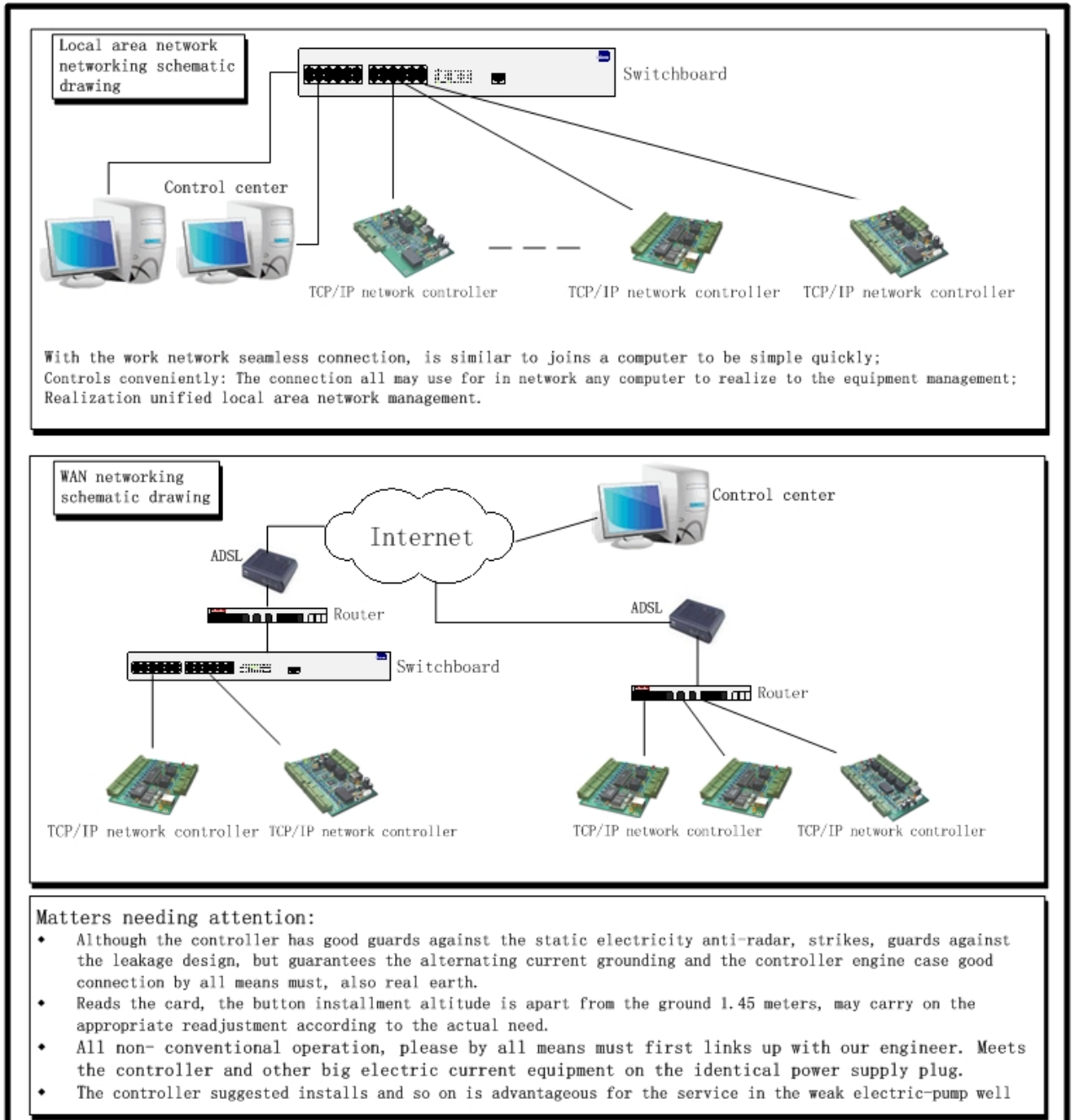


Message to (+86) 158 155 010 89

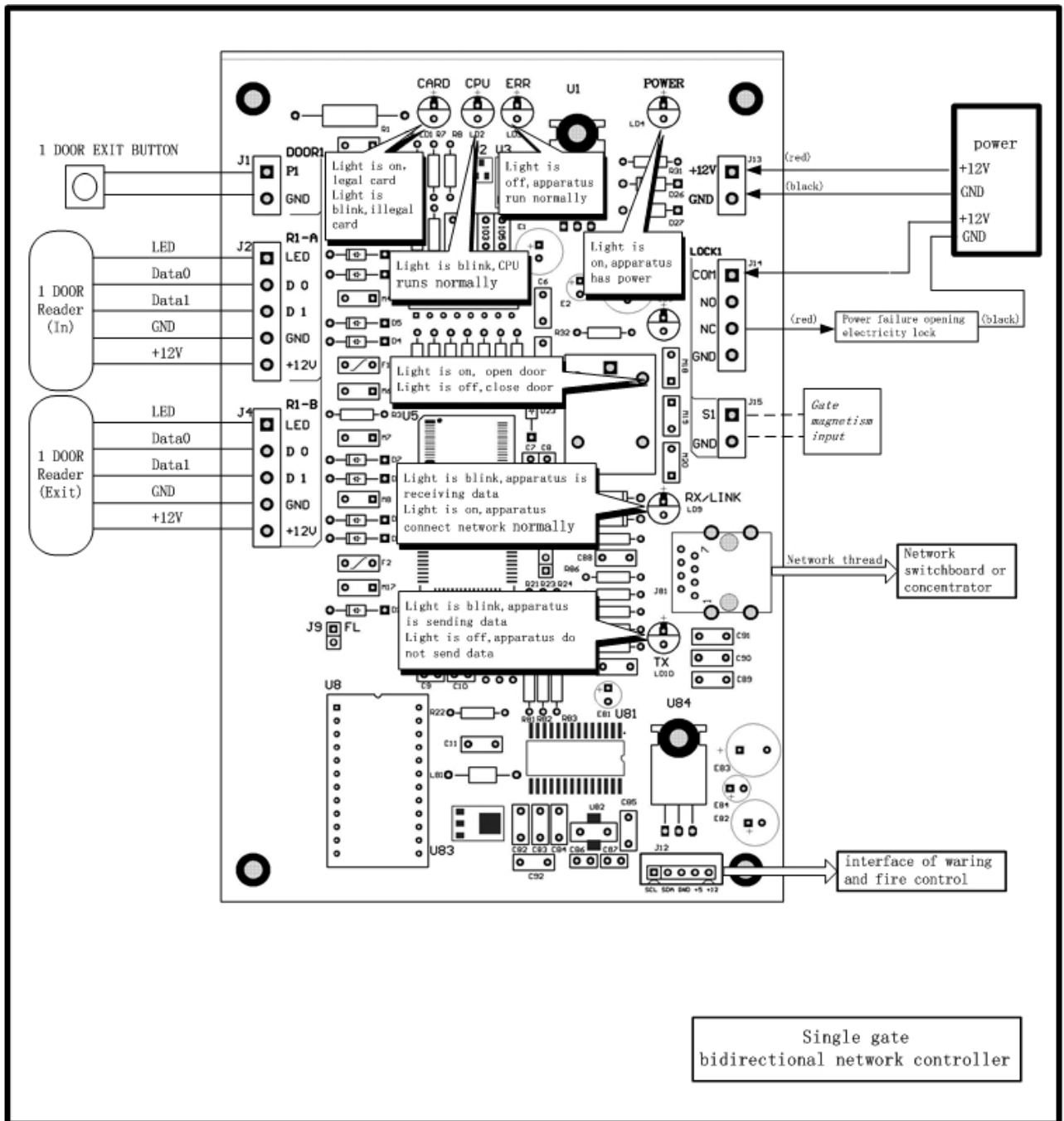
When you use cell phone or dial from other area outside China, please call (+86) 755 8341 8779/8825 7909 or email us at info@securitcn.com

Chapter 7 Wiring diagram for Access Controllers (For TCPIP)

7.1 TCP/IP networking schematic drawing

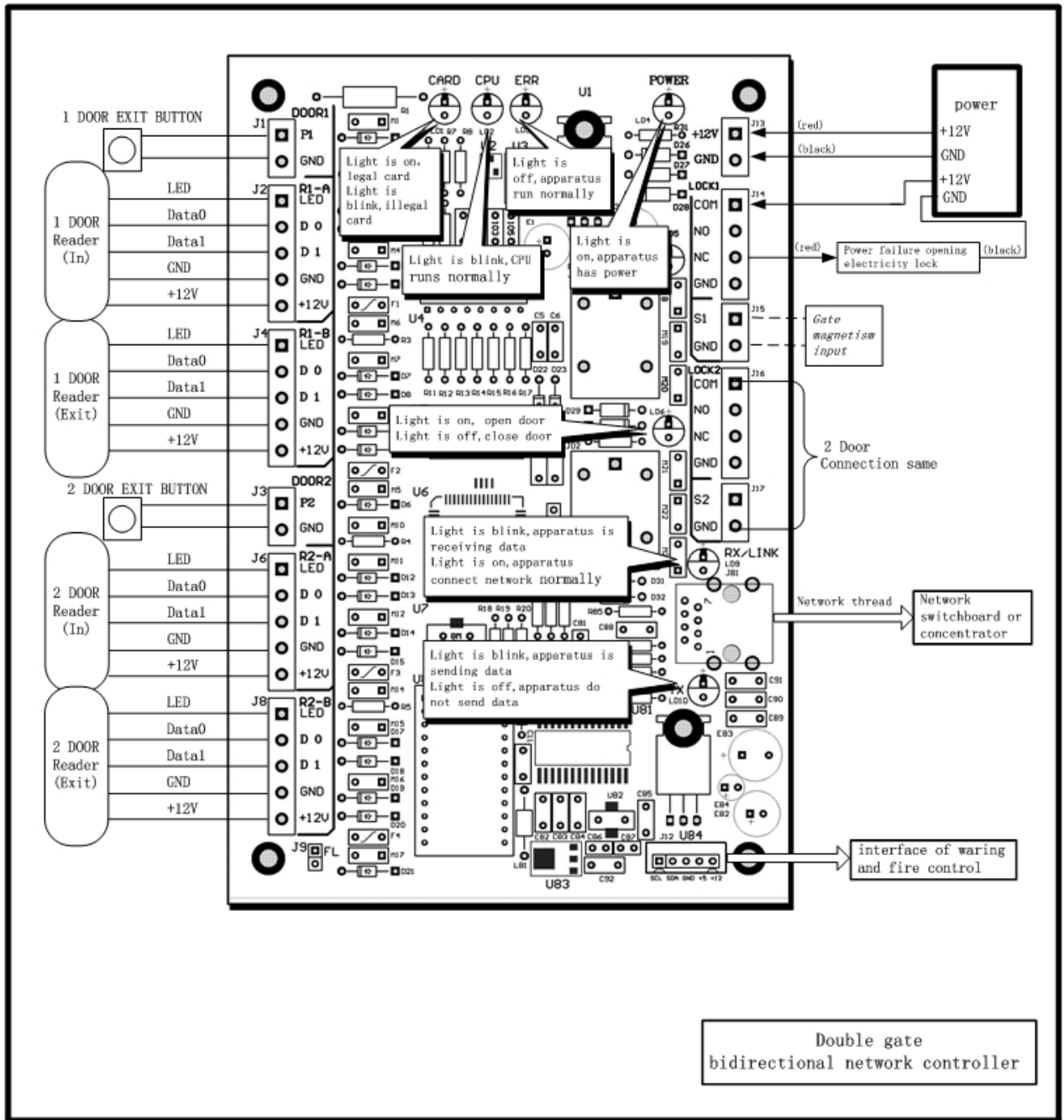


7.2 ABS-1.Net Diagram



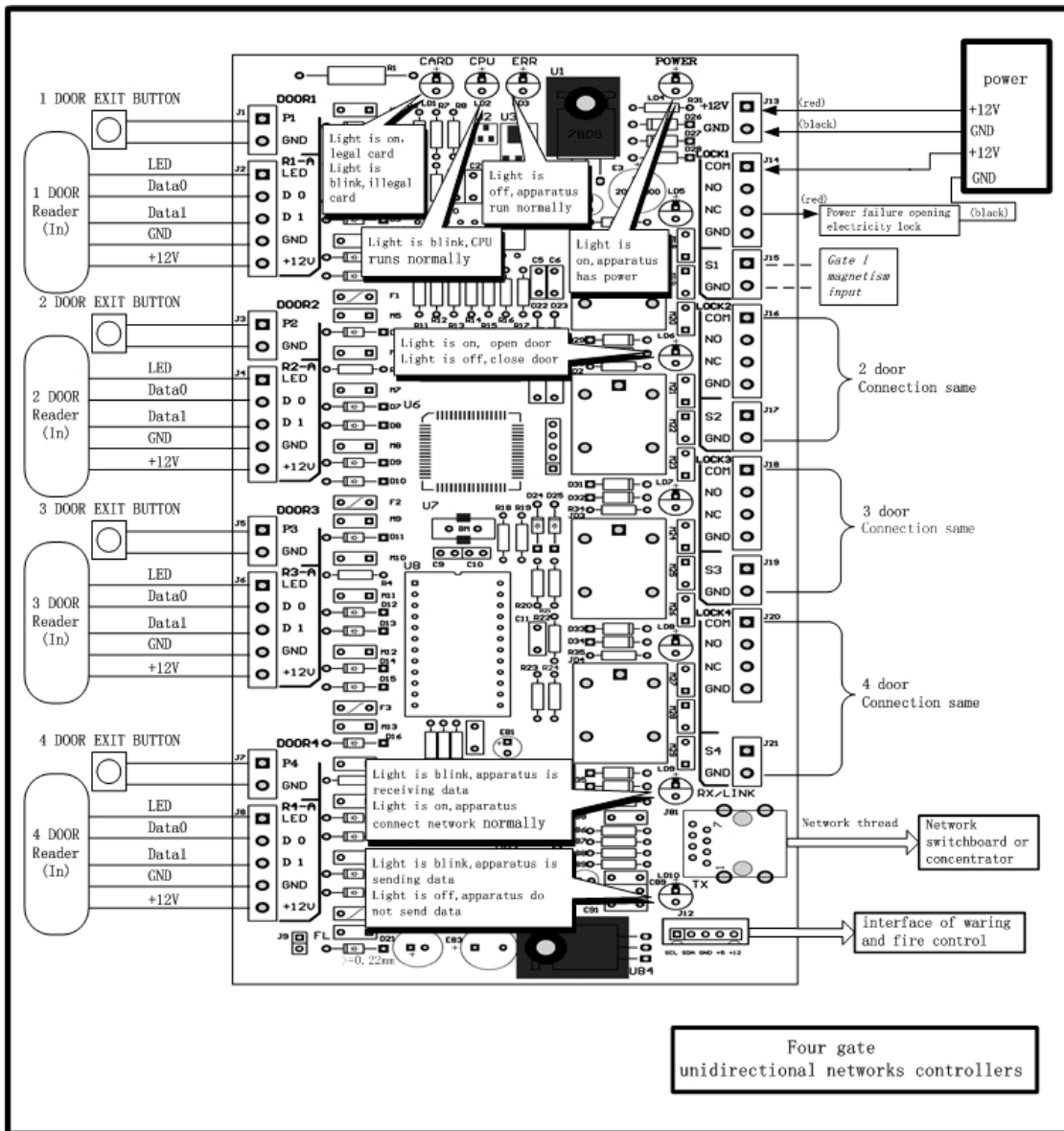
Message to (+86) 158 155 010 89
 When you use cell phone or dial from other area outside China, please call (+86) 755 8341 8779/8825 7909
 or email us at info@securitcn.com

7.3 ABS-2.Net Diagram



Message to (+86) 158 155 010 89
 When you use cell phone or dial from other area outside China, please call (+86) 755 8341 8779/8825 7909
 or email us at info@securitcn.com

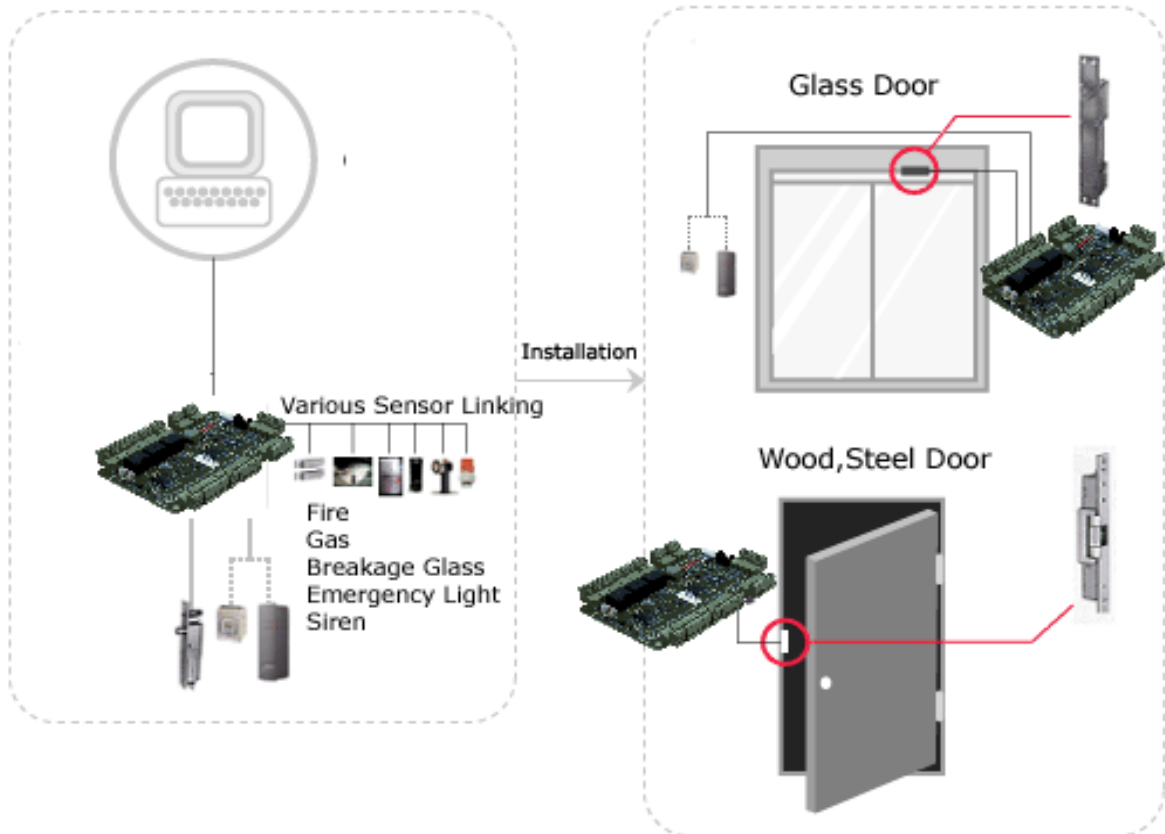
7.4 ABS-4.Net Diagram



Message to (+86) 158 155 010 89

When you use cell phone or dial from other area outside China, please call (+86) 755 8341 8779/8825 7909 or email us at info@securitcn.com

Chapter 8 Integrated/Connection Diagram



Message to (+86) 158 155 010 89

When you use cell phone or dial from other area outside China, please call (+86) 755 8341 8779/8825 7909 or email us at info@securitcn.com